

Radio



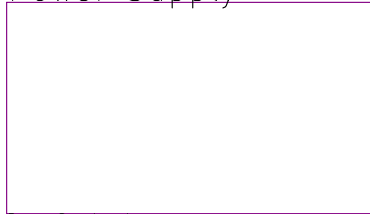
CC12XX_Radio.sch

ESP32

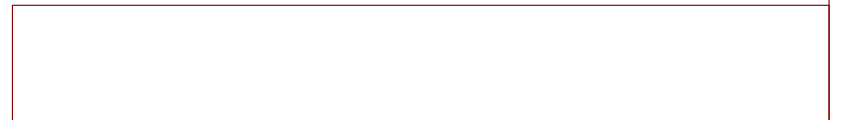


ESP32.sch

Power Supply



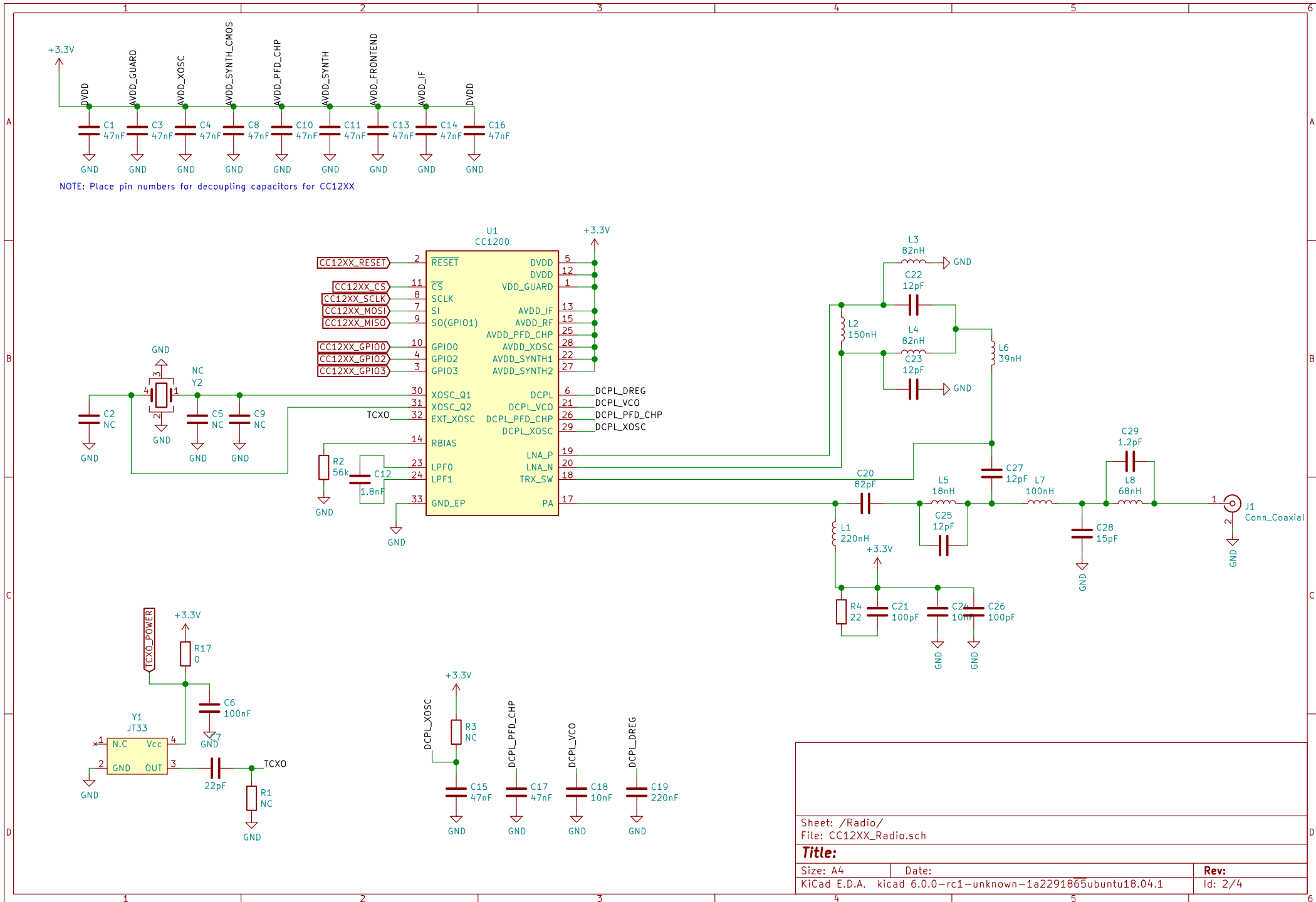
Power_Supply.sch



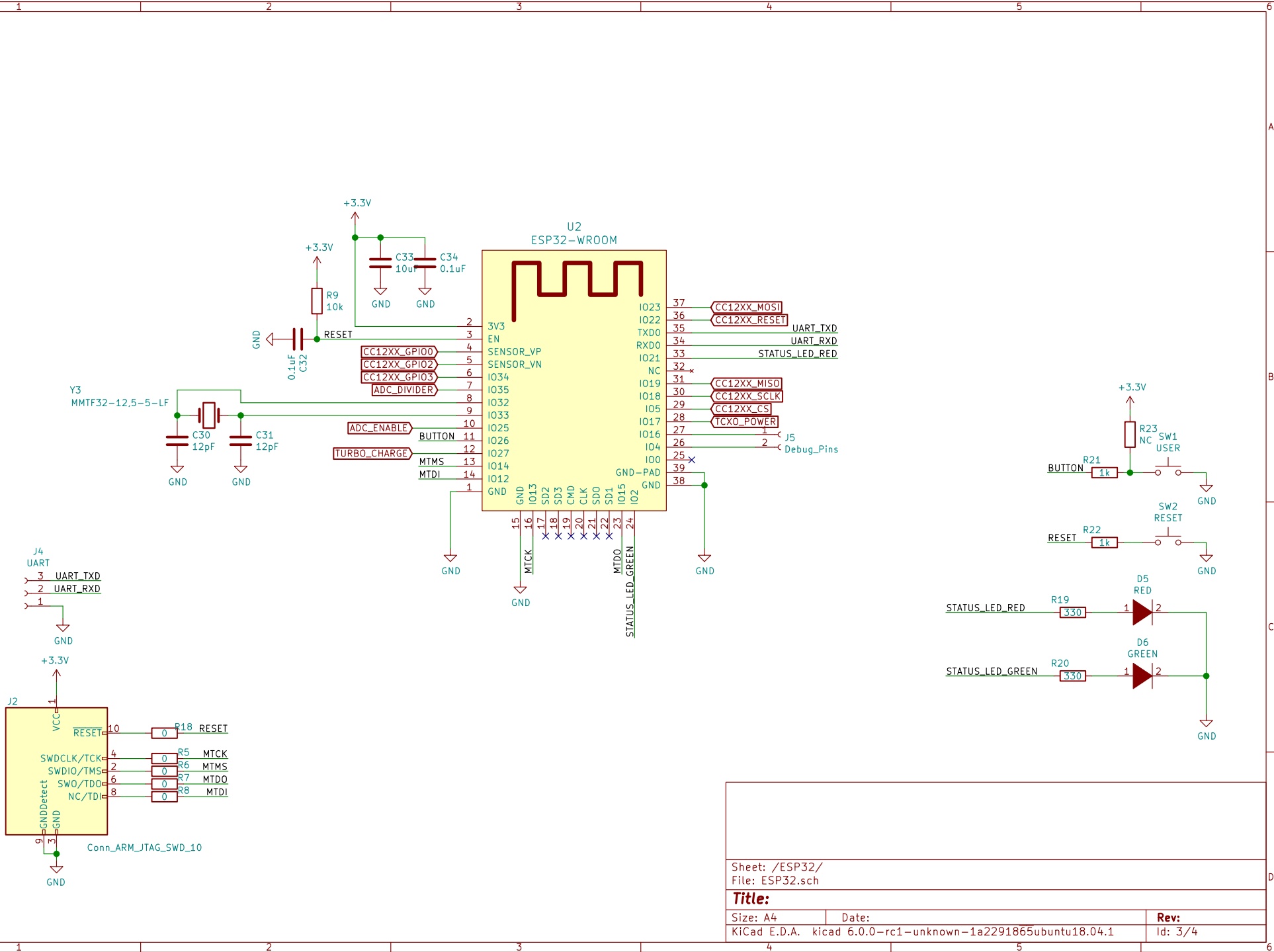
Sheet: /
File: L-Clip-V0.sch

Title:

Size: A4	Date:	Rev:
KiCad E.D.A. kicad 6.0.0-rc1-unknown-1a2291865ubuntu18.04.1		Id: 1/4



Sheet: /Radio/	
File: CC12XX_Radio.sch	
Title:	
Size: A4	Date:
KiCad E.D.A. kicad 6.0.0-rc1-unknown-1a2291865ubuntu18.04.1	Rev: Id: 2/4



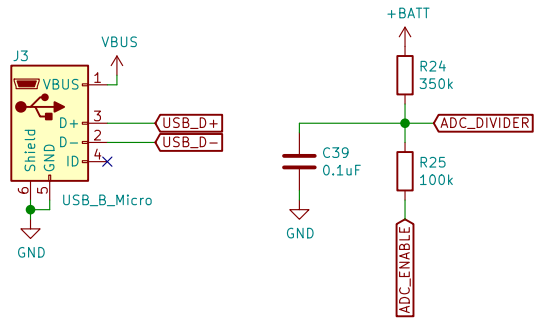
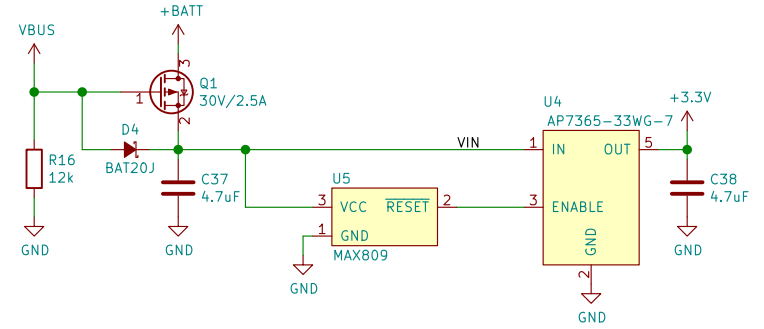
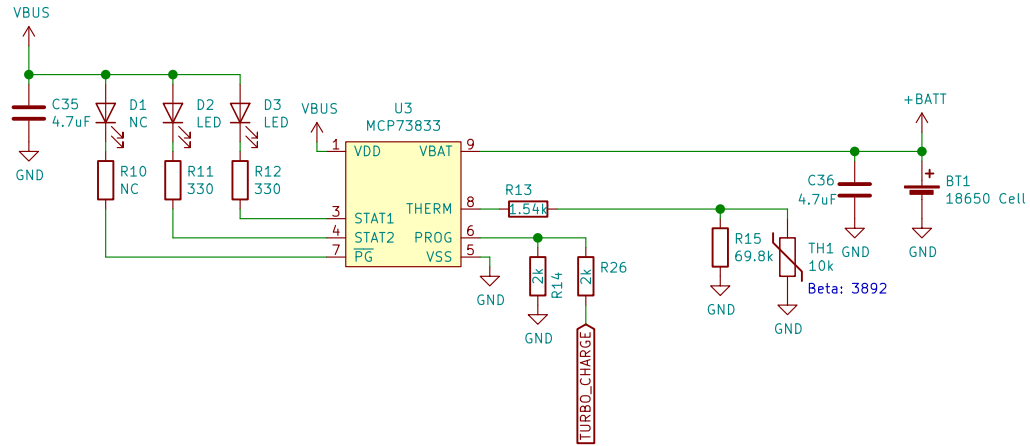
Sheet: /ESP32/
 File: ESP32.sch

Title:

Size: A4	Date:	Rev:
KiCad E.D.A. kicad 6.0.0-rc1-unknown-1a2291865ubuntu18.04.1		Id: 3/4

Li-Ion Charger Notes:

- (1) The PROG pin sets the charge current.
- (2) CHARGE_PROG to LOW, otherwise it must be Hi-Z. $1000V / R_Prog = I_limit$
- (3) STAT1 -> Low when charge is in progress
- (4) STAT2 -> Low when charge is finished



Sheet: /Power Supply/
File: Power_Supply.sch

Title:

Size: A4

Date:

Rev:

KiCad E.D.A. kicad 6.0.0-rc1-unknown-1a2291865ubuntu18.04.1

Id: 4/4